

Thank you for purchasing the Spindle Floor Lamp. Before you begin to assemble your new piece of Glass Lighting, please check to ensure that all hardware and parts have been supplied. This page lists all contents included in the carton(s). Follow instructions closely as deviation from them may present a possible safety risk and may void your warranty. It is recommended that assembly is done on a soft surface such as carpet to avoid any damage.

Care Information

Dust weekly using a soft, clean cloth. Do not use harsh abrasives, chemicals or polishes containing Silicone as they can damage this finish.

Avoid direct sunlight as this will cause the timber to change colour. It is important to remove moist substances immediately.

Note: Thank you for the purchasing Spindle Floor Lamp. While great care is taken during production.

Hardware (Supplied)



A X 2



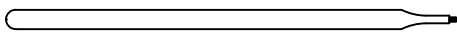
B X 2



C X 2



Parts



SX 1



TX 1

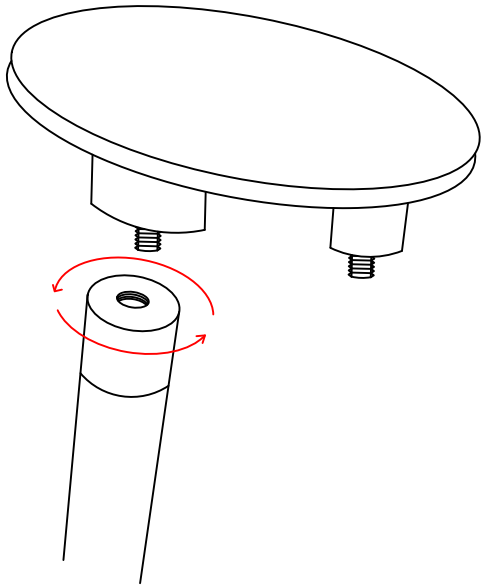


UX 1

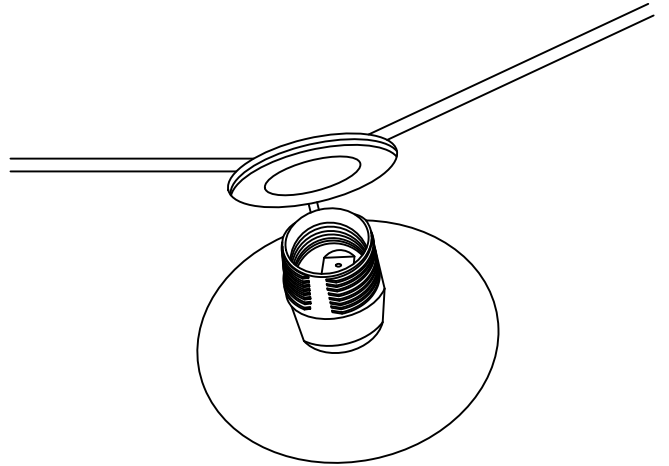
EXCLUSIVE AND PROPRIETARY TO UNION HOME

All rights reserved, including all applicable copyright, design and patent rights. Any unauthorized reproduction, adaptation, distribution or other infringement will be prosecuted. Page 1 of 2

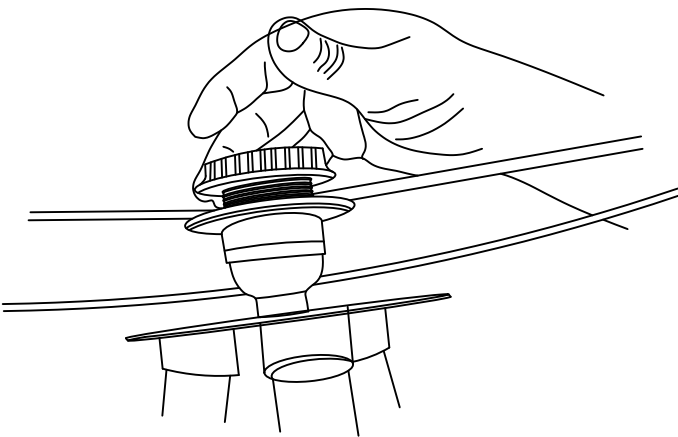
Step 1:



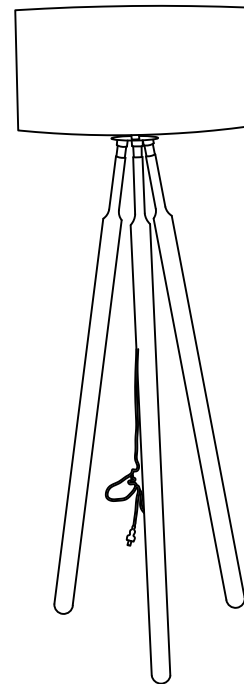
Step 2:



Step 3:



FINISH :



EXCLUSIVE AND PROPRIETARY TO UNION HOME

All rights reserved, including all applicable copyright, design and patent rights. Any unauthorized reproduction, adaptation, distribution or other infringement will be prosecuted.